

INSTALLATION

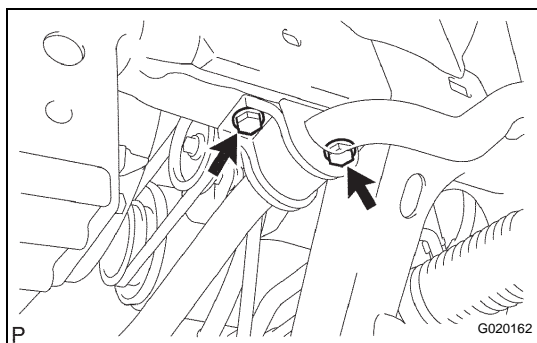
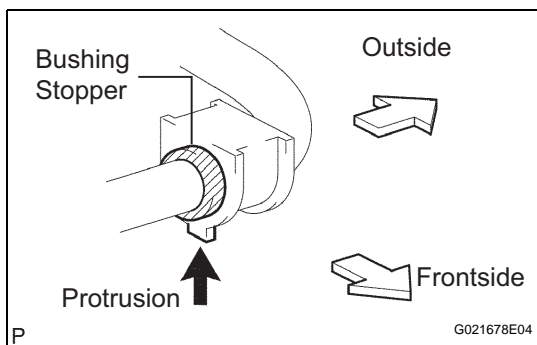
1. INSTALL STABILIZER BAR FRONT

2. INSTALL FRONT STABILIZER BAR BUSH NO. 1

(a) Install the 2 front stabilizer bar bush No. 1.

HINT:

- Install the bushing to the inner side of the bushing stopper on the stabilizer bar.
- Install the stabilizer bush No. 1 as the protrusion to be on the inner side of the vehicle.



3. INSTALL FRONT STABILIZER BRACKET NO. 2 LH

(a) Install the front stabilizer bracket No.2 LH with the 2 bolts.

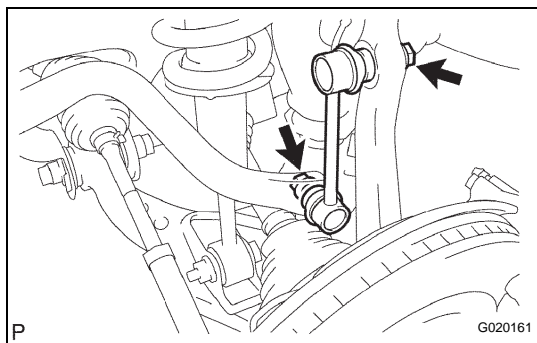
Torque: 40 N*m (410 kgf*cm, 30 ft.*lbf)

4. INSTALL FRONT STABILIZER BRACKET NO. 1 RH

HINT:

Install the RH side by following the same procedures with the LH side.

SP



5. INSTALL FRONT STABILIZER LINK ASSEMBLY LH

(a) Install the front stabilizer link assembly LH with the 2 nuts.

HINT:

If the ball joint turns together with the nut, use a hexagon (6 mm) wrench to hold the stud.

6. INSTALL FRONT STABILIZER LINK ASSEMBLY RH

HINT:

Install the RH side by following the same procedures with the LH side.

7. INSTALL FRONT WHEELS

Torque: 112 N*m (1,140 kgf*cm, 83 ft.*lbf)