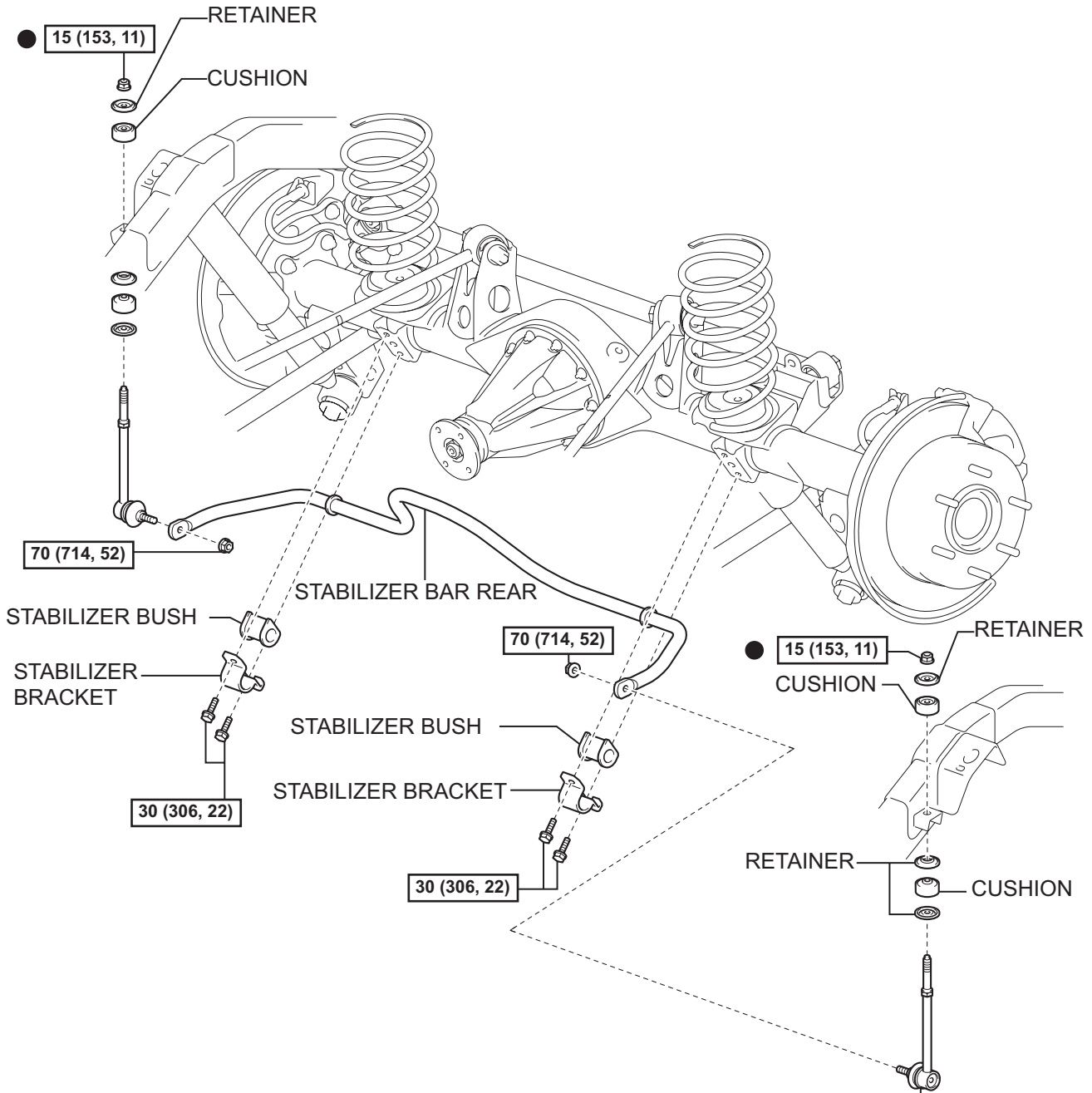


REAR STABILIZER BAR

COMPONENTS

SP



N*m (kgf*cm, ft.*lbf) : Specified torque

● Non-reusable part

REAR STABILIZER LINK ASSEMBLY

REMOVAL

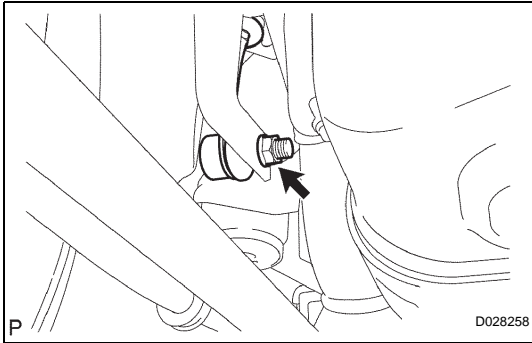
1. REMOVE REAR WHEEL

2. REMOVE REAR STABILIZER LINK ASSEMBLY

- (a) Remove the nut and disconnect the stabilizer bar from the stabilizer link (LH side).

HINT:

If the ball joint turns together with the nut, use a hexagon wrench (6 mm) to hold the stud.

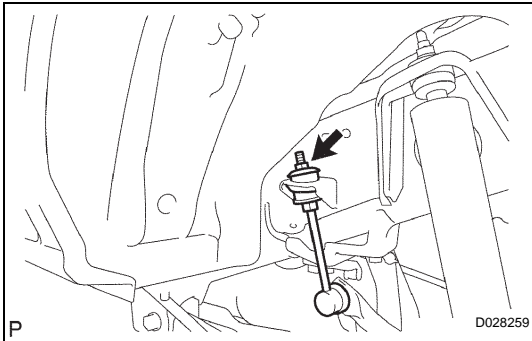


- (b) Hold the stabilizer bar link with a wrench and remove the nut, retainer, cushion and link.
 (c) Remove the 2 retainers and cushion from the stabilizer link.

3. REMOVE REAR STABILIZER LINK ASSEMBLY

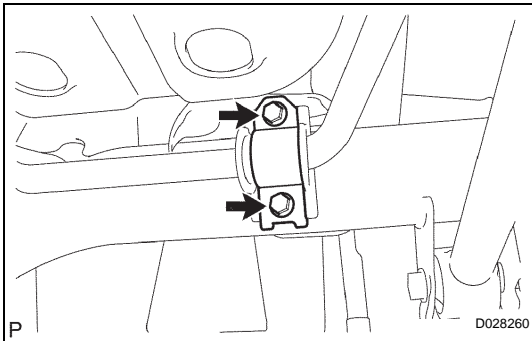
HINT:

Remove the RH side by following the same procedures with the LH side.



4. REMOVE STABILIZER BAR REAR

- (a) Remove the 4 bolts, the 2 stabilizer brackets and the stabilizer bar.
 (b) Remove the 2 stabilizer bushes from the stabilizer bar.



INSPECTION

1. INSPECT REAR STABILIZER LINK ASSEMBLY

- (a) As shown in the illustration, flip the ball joint stud back and forth 5 times before installing the nut.
 (b) Using a torque wrench, turn the nut continuously at a rate of 2 - 4 seconds per 1 turn, and take the torque reading on the 5th turn.

Torque: 0.05 - 2.0 N*m (0.5 -20 kgf*cm, 0.4 - 17.7 in.*lbf)

