

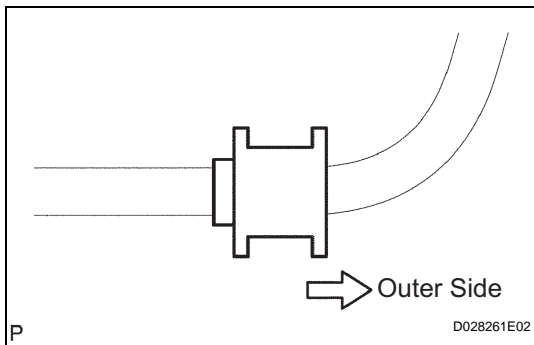
## INSTALLATION

### 1. INSTALL STABILIZER BAR REAR

- (a) Install the 2 stabilizer bushes to the stabilizer bar.

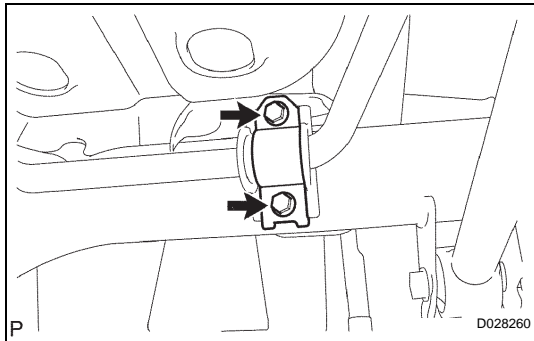
HINT:

Install the stabilizer bush to the inner side of the stabilizer bush stopper on the stabilizer bar.



- (b) Install the stabilizer bar and the 2 stabilizer brackets with the 4 bolts.

**Torque: 30 N\*m (306 kgf\*cm, 22 ft.\*lbf)**



### 2. INSTALL REAR STABILIZER LINK ASSEMBLY

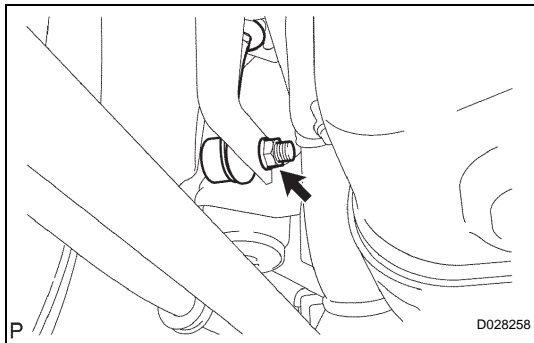
- (a) Install the stabilizer link with the nut (LH side).

**Torque: 70 N\*m (714 kgf\*cm, 52 ft.\*lbf)**

HINT:

If the ball joint turns together with the nut, use a hexagon wrench (6 mm) to hold the stud.

- (b) Install the 2 retainers and the cushion to the stabilizer link.



- (c) Hold the stabilizer bar link with a wrench, and install the nut, retainer, cushion and link.

**Torque: 15 N\*m (153 kgf\*cm, 11 ft.\*lbf)**

### 3. REMOVE REAR STABILIZER LINK ASSEMBLY

HINT:

Install the RH side by following the same procedures with the LH side.

### 4. INSTALL REAR WHEEL

**Torque: 112 N\*m (1,137 kgf\*cm, 83 ft.\*lbf)**

