

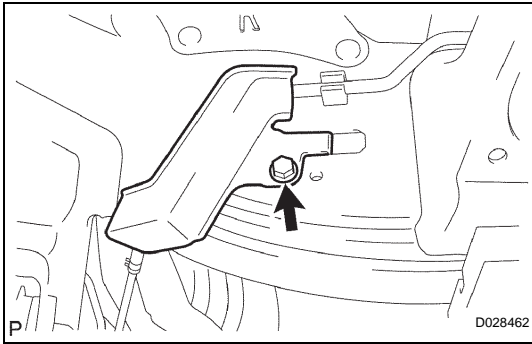
REMOVAL

NOTICE:

Be sure to read **PRECAUTIONS** before performing this procedure (See page **SC-1**).

1. REMOVE TUBE PROTECTOR LH

- (a) Remove the bolt and the tube protector LH.

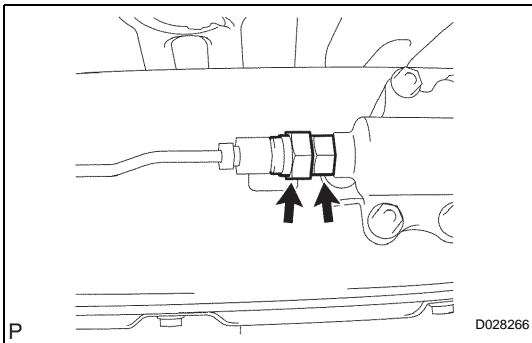


2. REMOVE CENTER CONTROL ABSORBER TUBE LH

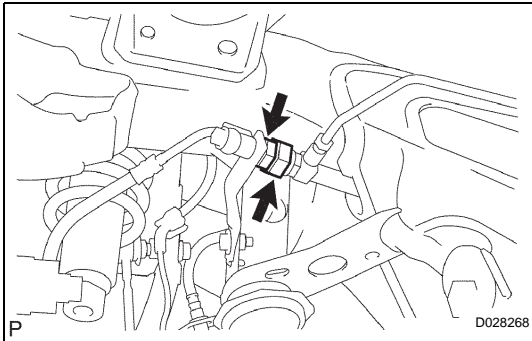
- (a) Using a spanner to hold the center control absorber assembly LH, disconnect the joint.

NOTICE:

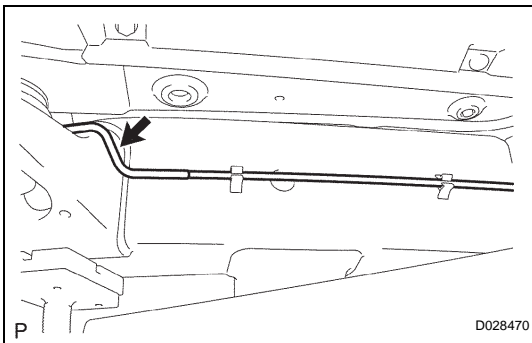
Check that all four shock absorbers are fully extended to the normal suspension rebound point.



- (b) Using a spanner to hold the bracket, remove the joint.



- (c) Using a pliers, cut the center control absorber tube. Use a container to catch absorber as it drains out.
 (d) Remove the center control absorber tubes from the frame.

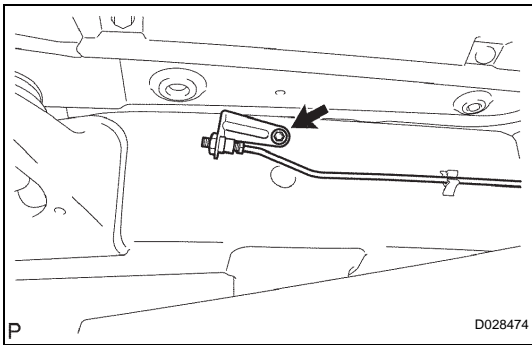


INSTALLATION

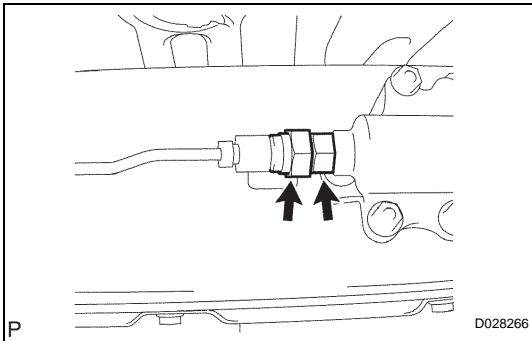
1. INSTALL CENTER CONTROL ABSORBER TUBE LH

- (a) Install the center control absorber tube (Rear side) with the bolt.

Torque: 29 N*m (296 kgf*cm, 21 ft.*lbf)



- (b) Using a spanner to hold the counter control absorber assembly, install the joint.



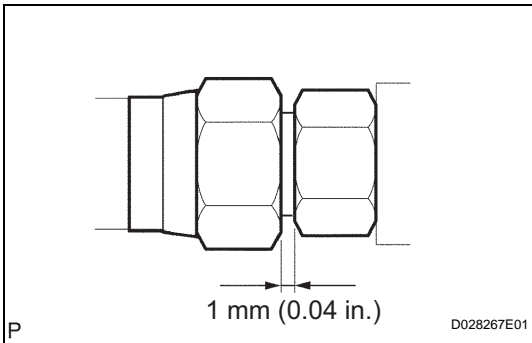
- (c) Refer to HINT below.

HINT:

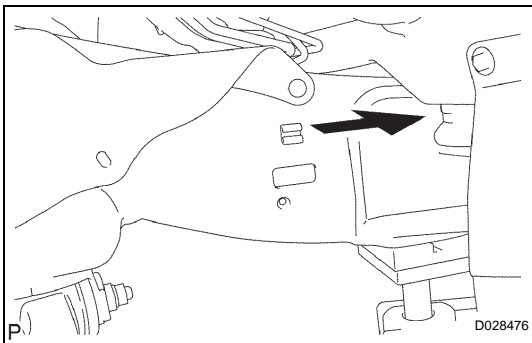
Tighten the joint so that the gap spacing becomes 1 mm (0.04 in.)

Torque: Reference

25 N*m (255 kgf*cm, 18 ft.*lbf)



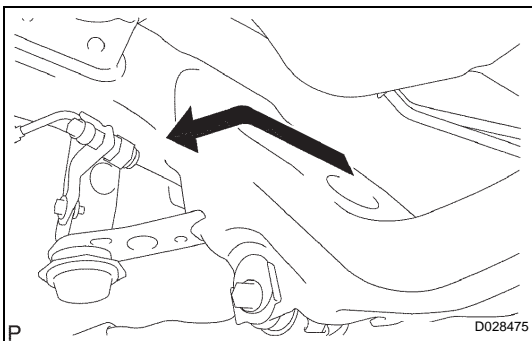
- (d) Pass through the center control absorber tube (Front side) between the body and the frame.

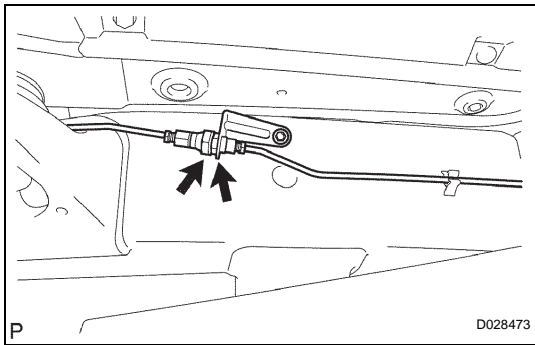


- (e) Pass the opposite side of the center control absorber tube over the frame.

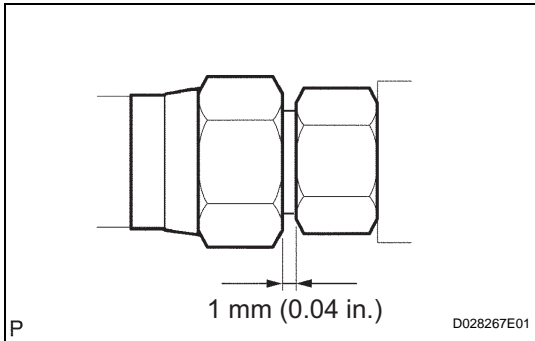
NOTICE:

Do not bend the center control tube excessively.





(f) Using a spanner to hold the bracket, install the joint.



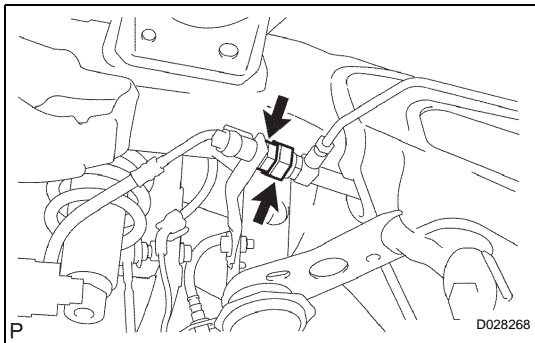
(g) Refer to HINT below.

HINT:

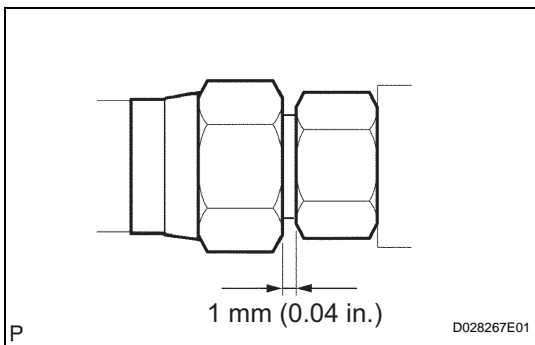
Tighten the joint so that the gap spacing becomes 1 mm (0.04 in.)

Torque: Reference

25 N*m (255 kgf*cm, 18 ft.*lbf)



(h) Using a spanner to hold the bracket, install the joint.



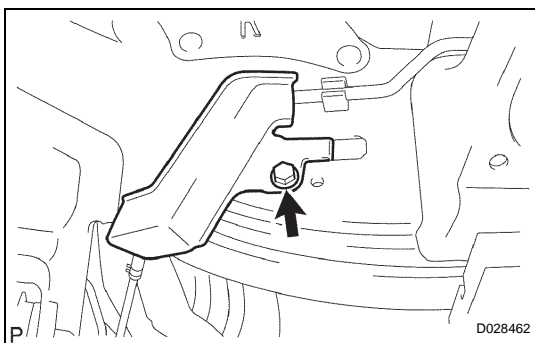
(i) Refer to HINT below.

HINT:

Tighten the joint so that the gap spacing becomes 1 mm (0.04 in.)

Torque: Reference

25 N*m (255 kgf*cm, 18 ft.*lbf)



2. INSTALL TUBE PROTECTOR LH

(a) Install the tube protector LH with the bolt.

Torque: 29 N*m (296 kgf*cm, 21 ft.*lbf)

3. INSPECT FLUID LEAK

HINT:

(See page [SC-3](#))